

PWB1 ■ Fixed Wall Mount 42"-55"



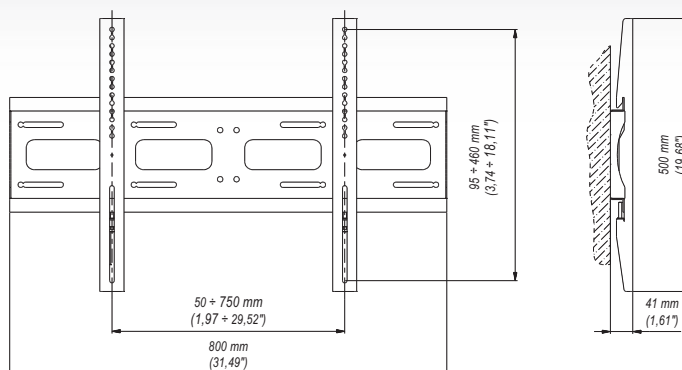
Features

- 1 SAFETY
safety bolt
- 2 EASY AND QUICK INSTALLATION
easy installation of the product
- 3 PRODUCT SAFETY CERTIFICATE
TUV GS mark



Technical Data

100x100 mm 200x100 mm 200x200 mm 300x300 mm 400x200 mm 400x400 mm 600x400 mm	42"-55"	41 mm	min. 50x95 mm max. 750x460 mm
80 Kg			



Accessories



Trade Information

Index	Colour	Package	EAN
PWB1c-R	■		5908252960002
PWB1c-B	■		5908252960156
PWB1s-R	■		5908252960019
PWB1s-B	■		5908252960163

Package Dimensions [mm] (H x W x D)	820x220x38
Weight [Kg]	4,7